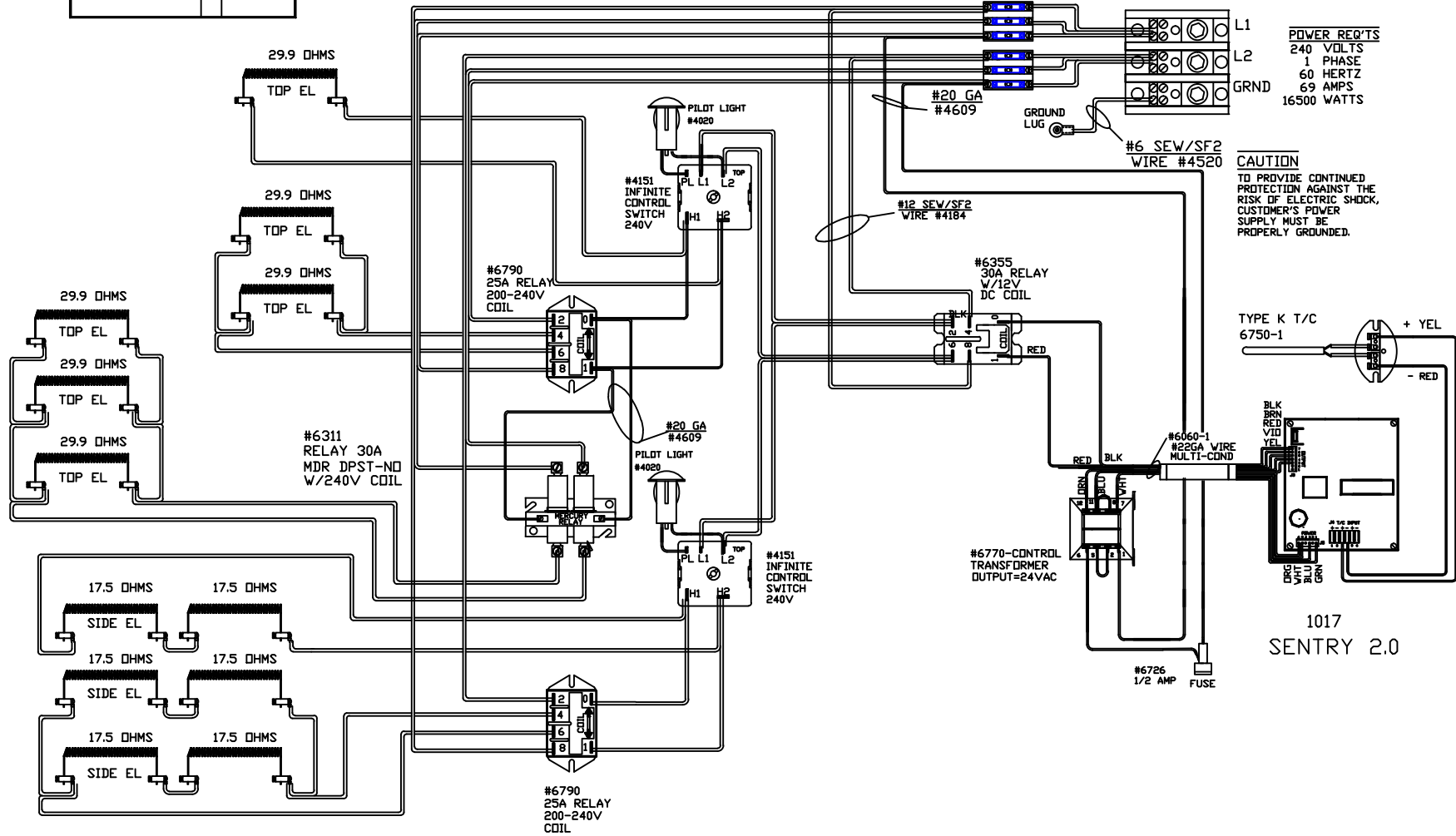


PART NO 6461142AFA

TO RE-ORDER ELEMENTS, SPECIFY		
DESCRIPTION	QTY	LOC
EL6461142AFAT	6	TOP
EL6461142AFAS	6	SIDE

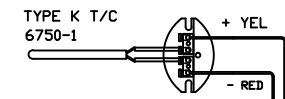
**WIRE SIZES**  
 NOTE: ALL WIRES TO BE  
 TYPE SEW/SF2, #12 AWG  
 MINIMUM UNLESS NOTED

#6540 FUSE BLOCK  
 300V 30A 3P  
 USES (3) 30A  
 CLASS CC FUSES #6076-1



**POWER REQ'TS**  
 240 VOLTS  
 1 PHASE  
 60 HERTZ  
 69 AMPS  
 16500 WATTS

**CAUTION**  
 TO PROVIDE CONTINUED  
 PROTECTION AGAINST THE  
 RISK OF ELECTRIC SHOCK,  
 CUSTOMER'S POWER  
 SUPPLY MUST BE  
 PROPERLY GROUND.



1017  
 SENTRY 2.0

1700° F

REV	DATE	BY	DESCRIPTION
-	10-16-03	RLG	
A	7/11/03	DTB	CHG CENTER OMERON TO MER REL

SWITCH BOX ASSY- 42043-6

PARAGON INDUSTRIES  
 2011 SOUTH TOWN EAST BLVD  
 MESQUITE, TEXAS 75149

WIRING DIAGRAM

240V, 1 PHASE ,60HZ 16500WATTS

PART NO 6461142AFA

GL64AD-SEN-1700 T&SF

REV  
 A  
 FILE