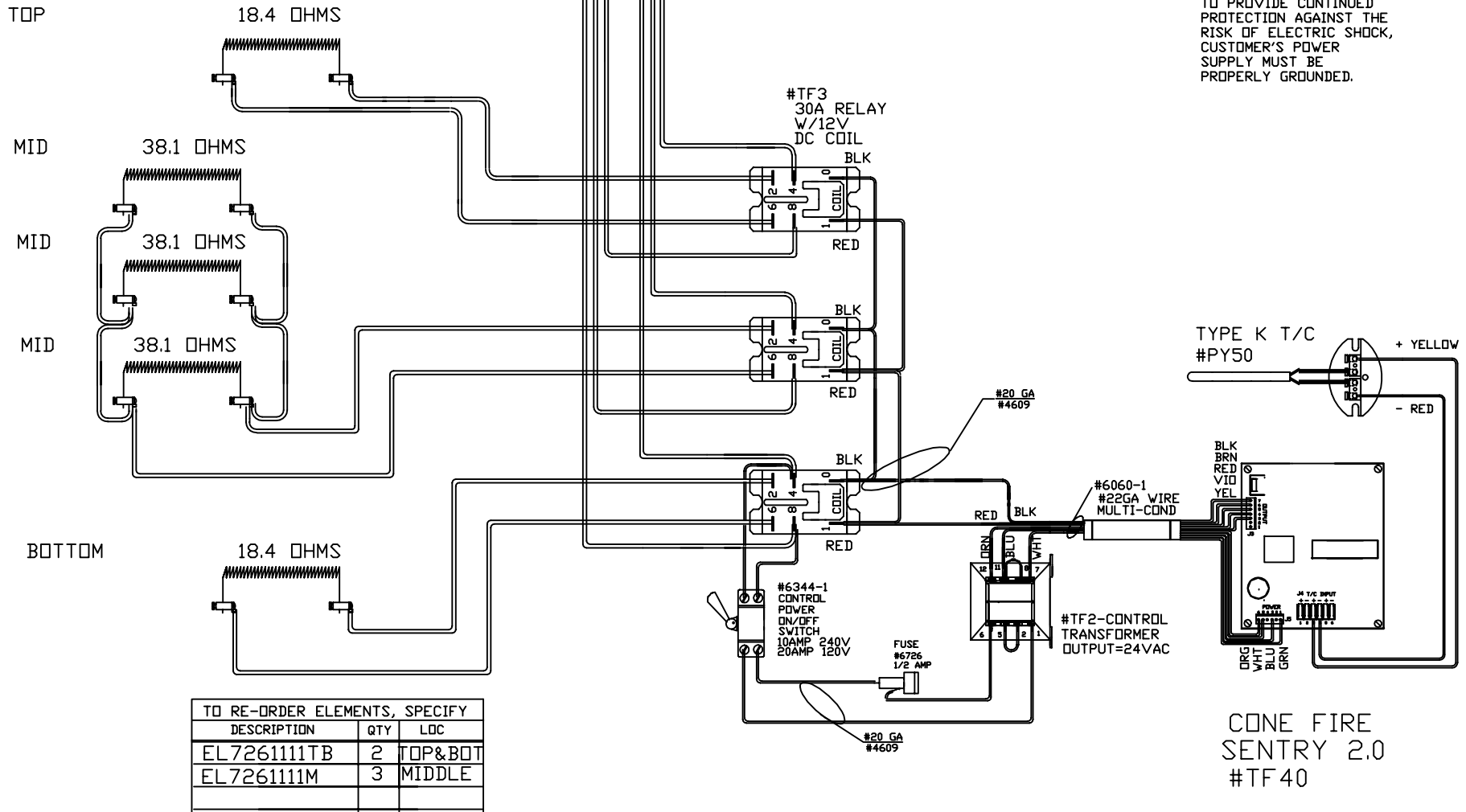


**WIRING NOTE**  
 ALL WIRES #14 AWG,  
 TYPE SEW/SF2 MINIMUM  
 UNLESS OTHERWISE NOTED

6-2/8-1 CORDSET  
 6-50P CAP  
 #CR6

**POWER REQ'TS**  
 240 VOLTS  
 1 PHASE  
 60 HERTZ  
 45 AMPS  
 10800 WATTS

(X) **CAUTION**  
 TO PROVIDE CONTINUED  
 PROTECTION AGAINST THE  
 RISK OF ELECTRIC SHOCK,  
 CUSTOMER'S POWER  
 SUPPLY MUST BE  
 PROPERLY GROUNDDED.



TO RE-ORDER ELEMENTS, SPECIFY		
DESCRIPTION	QTY	LOC
EL726111TB	2	TOP&BOT
EL726111M	3	MIDDLE

NOTE: PLEASE REFER  
 TO THIS NUMBER WHEN  
 ORDERING PARTS FOR  
 THIS KILN

2350°F

REV	DATE	BY	DESCRIPTION
-	4/15/03	DTB	

SWITCH BOX ASSY-  
 PARAGON INDUSTRIES  
 2011 SOUTH TOWN EAST BLVD  
 MESQUITE, TEXAS 75149

**WIRING DIAGRAM**  
 240V, 1PHASE, 60HZ, 10800WATTS

PART NO.	REV
726111G00	-
KL IGUANA	FILE