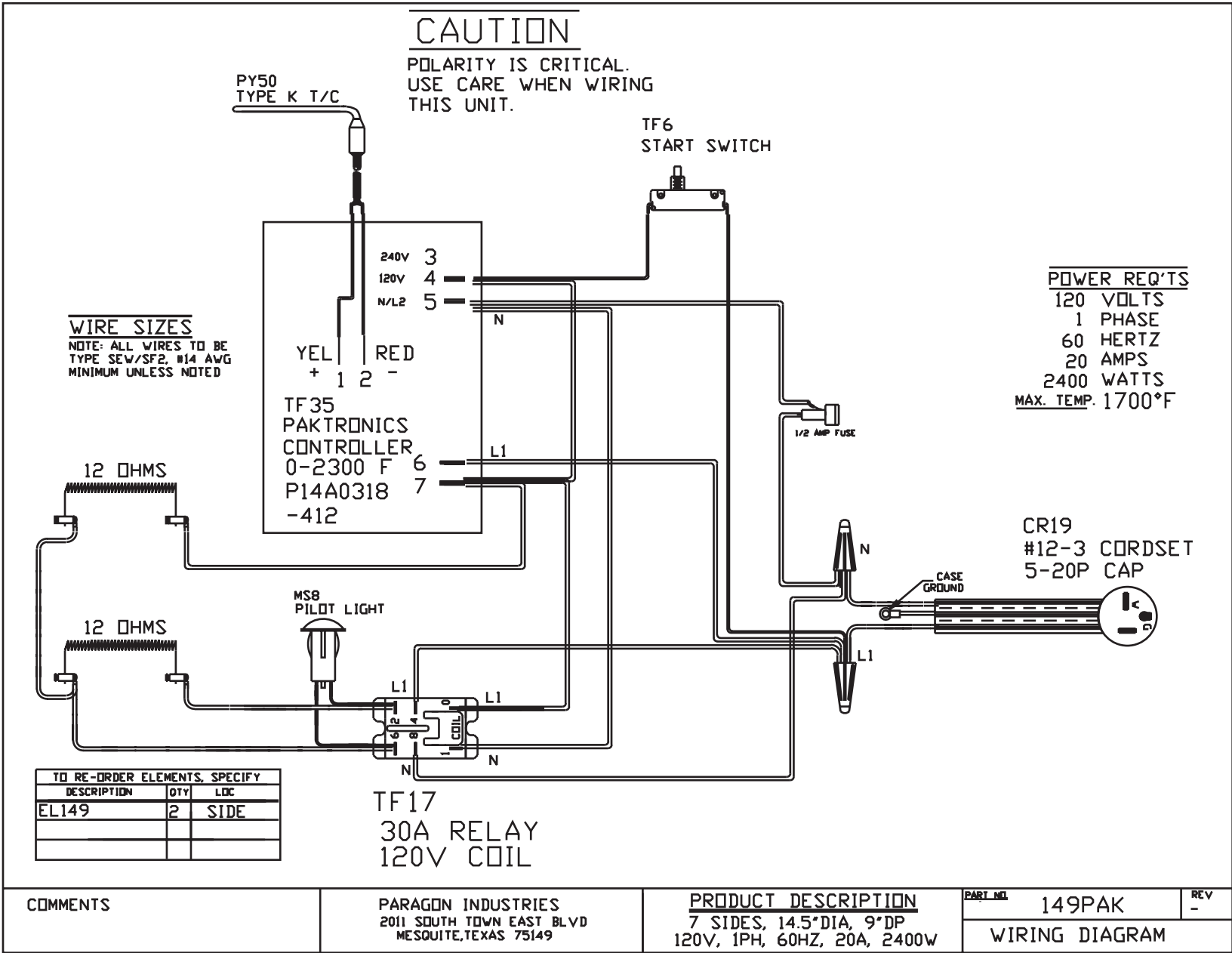


# CAUTION

POLARITY IS CRITICAL.  
USE CARE WHEN WIRING  
THIS UNIT.



**WIRE SIZES**  
NOTE: ALL WIRES TO BE  
TYPE SEW/SF2, #14 AWG  
MINIMUM UNLESS NOTED

**POWER REQ'TS**  
120 VOLTS  
1 PHASE  
60 HERTZ  
20 AMPS  
2400 WATTS  
MAX. TEMP. 1700°F

CR19  
#12-3 CORDSET  
5-20P CAP

TO RE-ORDER ELEMENTS, SPECIFY		
DESCRIPTION	QTY	LOC
EL149	2	SIDE

TF17  
30A RELAY  
120V COIL

COMMENTS

PARAGON INDUSTRIES  
2011 SOUTH TOWN EAST BLVD  
MESQUITE, TEXAS 75149

**PRODUCT DESCRIPTION**  
7 SIDES, 14.5" DIA, 9" DP  
120V, 1PH, 60HZ, 20A, 2400W

**PART NO.** 149PAK  
**REV** -  
WIRING DIAGRAM