

TO RE-ORDER ELEMENTS, SPECIFY		
DESCRIPTION	QTY	LOC
EL257111EA00TB	4	TOP&BOT
EL257111EA00M	4	MIDDLE

TERM BLOCK  
END [1] #4156  
CENTER [3] #4157

12 GA WIRE  
SEW

WIRE SIZES

NOTE: ALL WIRES TO BE  
TYPE SEW/SF2, #12 AWG  
MINIMUM UNLESS NOTED

POWER REQ'TS	
L1	208 VOLTS
L2	3 PHASE
L3	60 HERTZ
	40 AMPS
	14400 WATTS

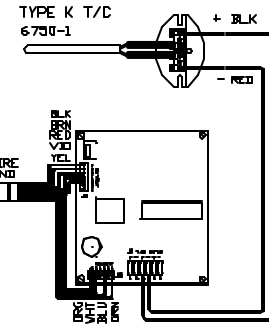
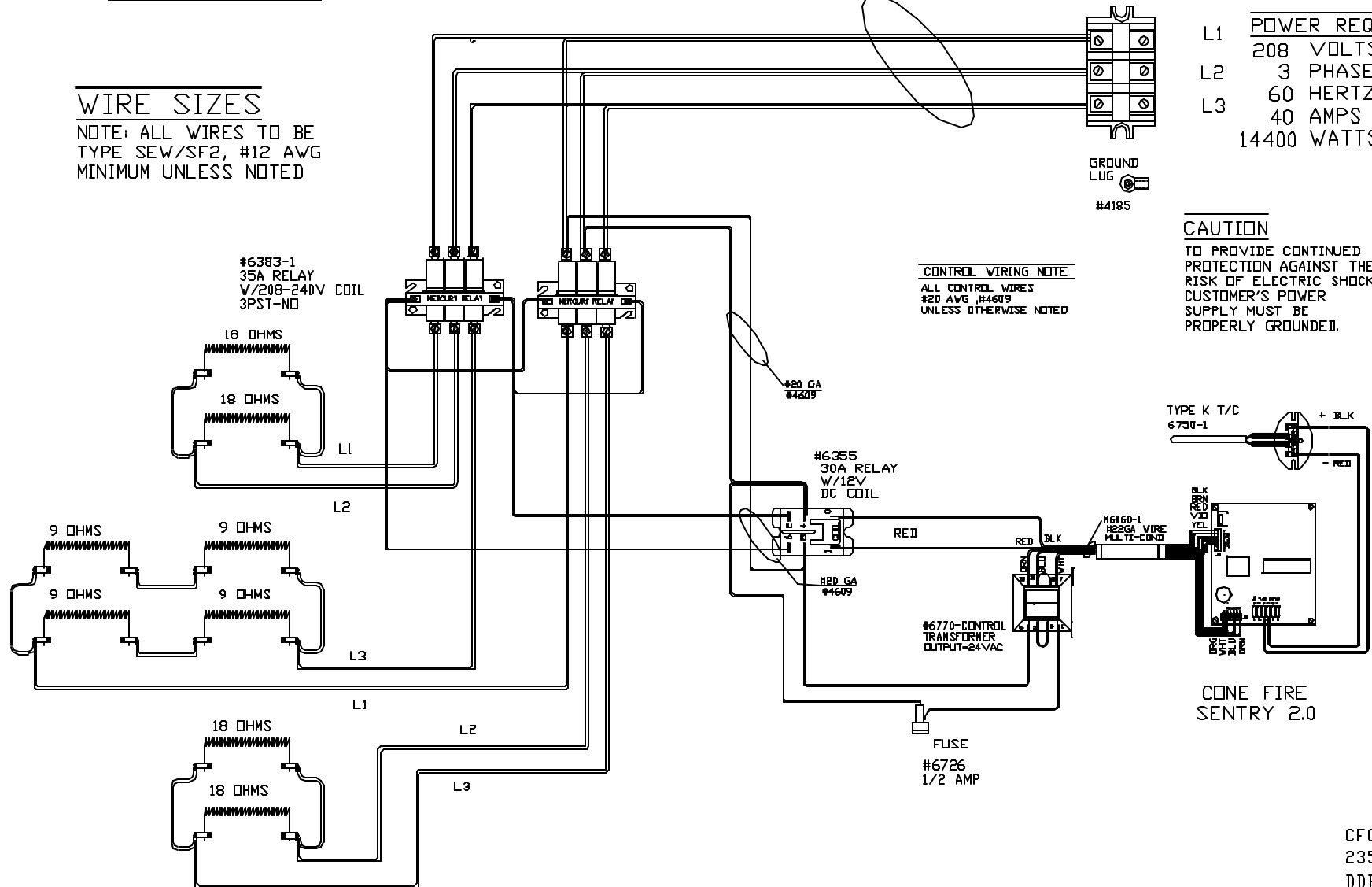
GROUND  
LUG  
#4185

CAUTION

TO PROVIDE CONTINUED  
PROTECTION AGAINST THE  
RISK OF ELECTRIC SHOCK,  
CUSTOMER'S POWER  
SUPPLY MUST BE  
PROPERLY GROUNDED.

CONTROL WIRING NOTE

ALL CONTROL WIRES  
#20 AWG #4609  
UNLESS OTHERWISE NOTED



CONE FIRE  
SENTRY 2.0

CFG 21  
2350°F  
DDB  
ULV CERTIFIED

REV	DATE	BY	DESCRIPTION
-	5/11/11	DTB	
A	6/20/11	DTB	CORRECTED T/C CALLOUT

SWITCH BOX ASSY- 42020-36

PARAGON INDUSTRIES  
2011 SOUTH TOWN EAST BLVD  
MESQUITE, TEXAS 75149

WIRING DIAGRAM  
208V, 3 PHASE, 60HZ, 14400WATTS

PART NO.	REV
257111EA00	A
TNF273 SECTIONAL	FILE