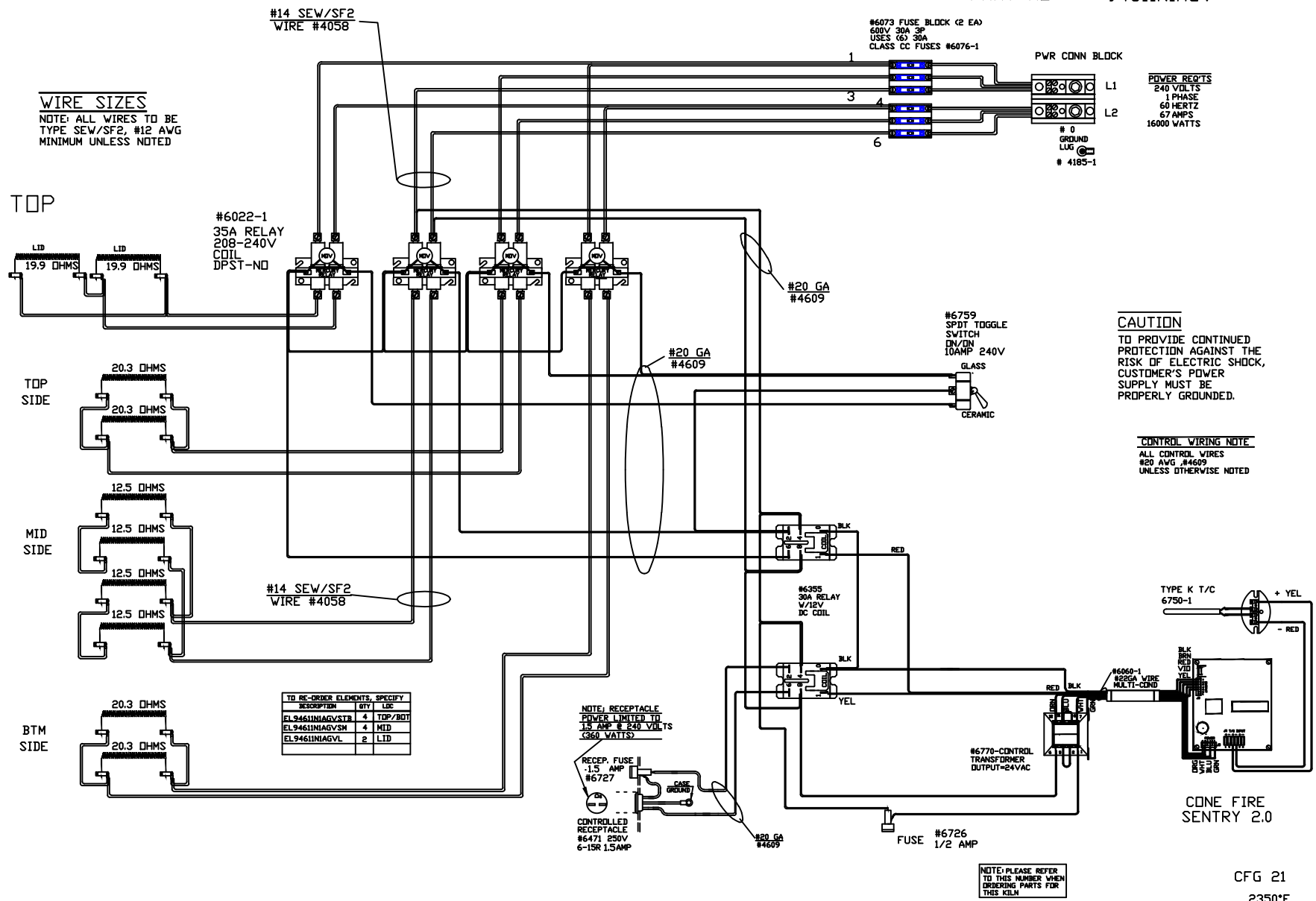


PART NO 94611N1AGV

WIRE SIZES
NOTE: ALL WIRES TO BE TYPE SEW/SF2, #12 AWG MINIMUM UNLESS NOTED



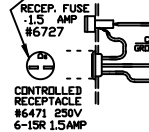
POWER REQTS
240 VOLTS
1 PHASE
60 HERTZ
67 AMPS
16000 WATTS

CAUTION
TO PROVIDE CONTINUED PROTECTION AGAINST THE RISK OF ELECTRIC SHOCK, CUSTOMER'S POWER SUPPLY MUST BE PROPERLY GROUNDED.

CONTROL WIRING NOTE
ALL CONTROL WIRES #20 AWG #4609 UNLESS OTHERWISE NOTED

TO RE-ORDER ELEMENTS, SPECIFY RECEPTACLE		
RTY	LTG	LTG
EL94611N1AGVSTR	4	TOP/BDT
EL94611N1AGVSH	4	MID
EL94611N1AGVLT	2	LTD

NOTE: RECEPTACLE POWER LIMITED TO 1.5 AMP @ 240 VOLTS (360 WATTS)



NOTE: PLEASE REFER TO THIS NUMBER WHEN ORDERING PARTS FOR THIS KILN

CONE FIRE SENTRY 2.0

CFG 21
2350°F
TUV CERTIFIED

REV	DATE	BY	DESCRIPTION	SWITCH BOX ASSY- 42106-52	WIRING DIAGRAM	PART NO	REV
	6/2/14	DTB		PARAGON INDUSTRIES 2011 SOUTH TOWN EAST BLVD MESQUITE, TEXAS 75149	240V, 1 PHASE ,60HZ 16KW	94611N1AGV	FILE
						JANUS 10 SIDE OVAL	