

PART NO S1011-3

TO RE-ORDER ELEMENTS, SPECIFY		
DESCRIPTION	QTY	LDC
ELS1011-3STB	2	TOP
ELS1011-3SM	4	MID
ELS1011-3STB	2	BOT
ELS1011-3L	2	LID

WIRING NOTE

ALL WIRES #12 AWG,
TYPE SEW/SF2 MINIMUM
UNLESS OTHERWISE NOTED
FUSE BLOCK (2 EA) #6073
600V 30A 3P
USES (6) 30A
CLASS CC FUSES #6076-1

POWER REQ'TS

240 VOLTS
1 PHASE
60 HERTZ
67 AMPS
16000 WATTS

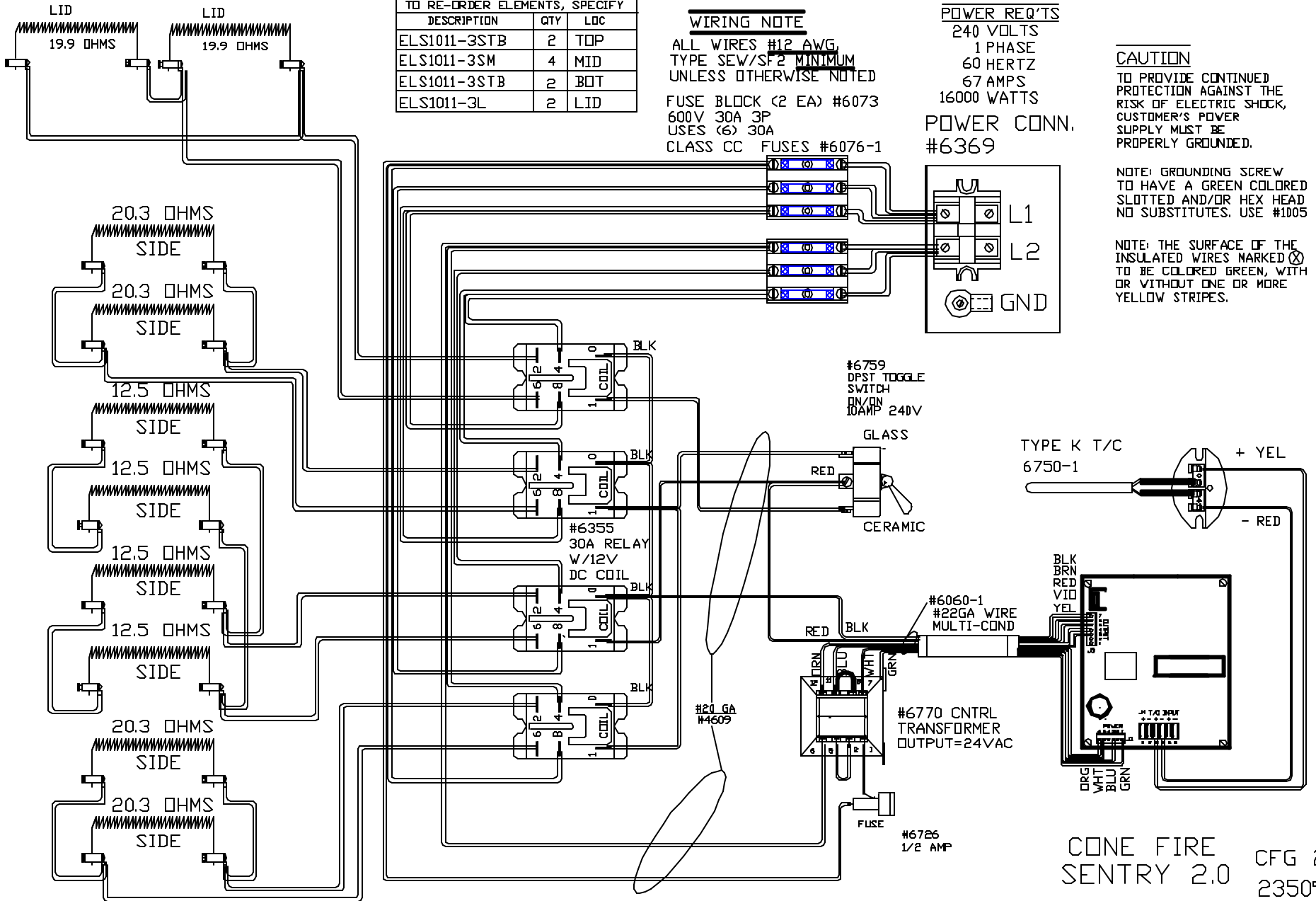
POWER CONN.
#6369

CAUTION

TO PROVIDE CONTINUED
PROTECTION AGAINST THE
RISK OF ELECTRIC SHOCK,
CUSTOMER'S POWER
SUPPLY MUST BE
PROPERLY GROUNDED.

NOTE: GROUNDING SCREW
TO HAVE A GREEN COLORED
SLOTTED AND/OR HEX HEAD
NO SUBSTITUTES. USE #1005

NOTE: THE SURFACE OF THE
INSULATED WIRES MARKED ⊗
TO BE COLORED GREEN, WITH
OR WITHOUT ONE OR MORE
YELLOW STRIPES.



CONE FIRE SENTRY 2.0 CFG 21 2350° F

REV	DATE	BY	DESCRIPTION
	4-6-06	RLG	

SWITCH BOX ASSY- 42106-1
PARAGON INDUSTRIES
2011 SOUTH TOWN EAST BLVD
MESQUITE, TEXAS 75149

WIRING DIAGRAM
240V, 1 PHASE, 60HZ, 16KW

PART NO. S1011-3
JANUS 10 SIDE OVAL

REV - FILE